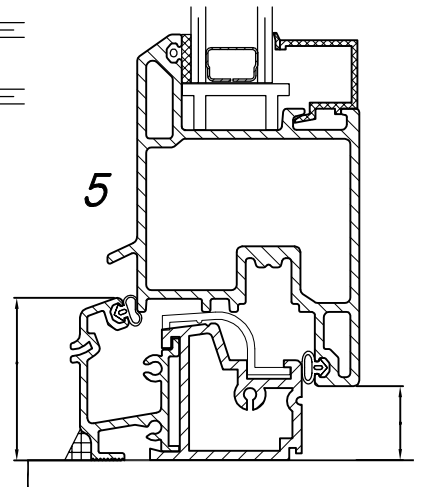
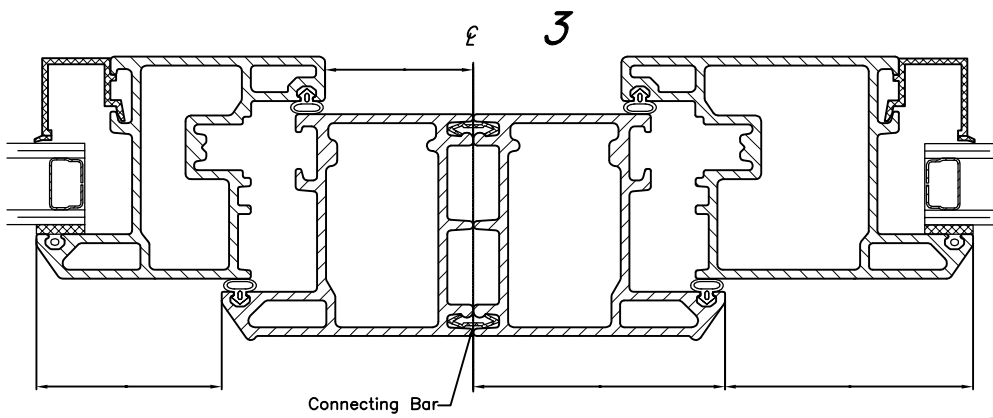
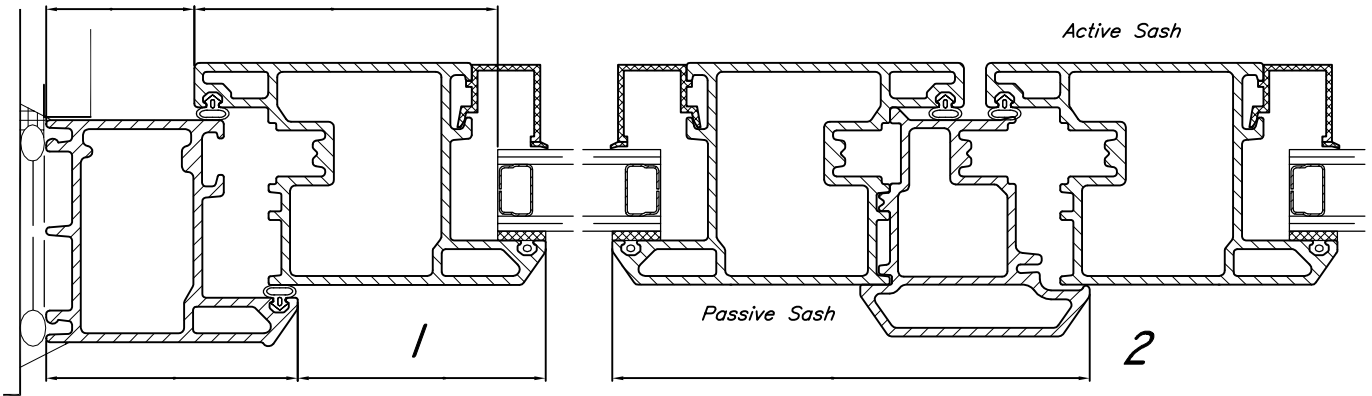
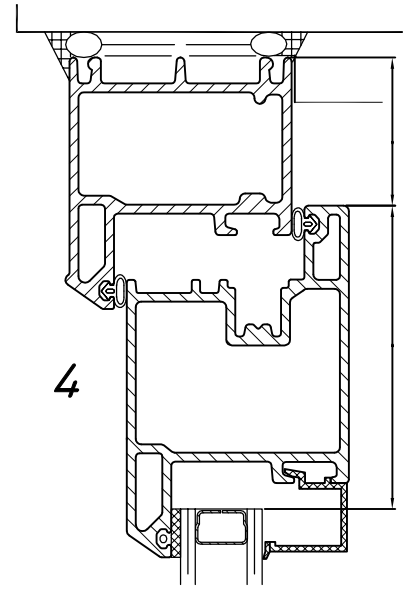
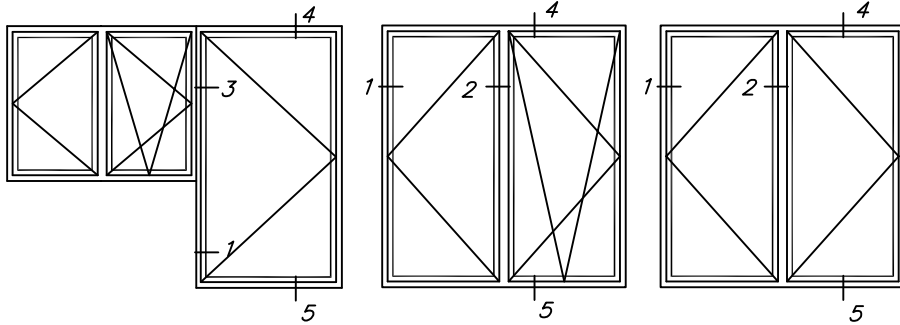


SERIES 301 TILT'N TURN DOOR



22mm(DOUBLE GLASS)  
GLASS STOP(PVC)

5.08mm F.C. 4.06mm F.C. 3.04mm F.C.  
GLAZING WEDGE(NEOPRENE)

35mm(TRIPLE GLASS)  
GLAZING STOP(ALUMINUM)