



AIR-INS inc.

1320, boul. Lionel-Boulet, Varennes (Quebec) J3X 1P7 – Tél. : (450) 652-0838 • Fax : (450) 652-7588 • info@air-ins.com

**THERMAL PERFORMANCE VALIDATION TEST
CONDUCTED ON YOUR 301 TILT'N TURN DOOR
IN ACCORDANCE WITH NFRC 102-2004**

Prepared for:

**GREAT LAND WINDOW
2401 COLLEGE ROAD
FAIRBANKS, AK, USA
99709
CHIP VAUGHAN
907-479-6437**

AIR-INS INC.

Reissued report: NV-00897-B

Date : February 9, 2011

Number of pages: 4

1320 Boul. Lionel-Boulet

Varennes, Québec

J3X 1P7

Tél: (450) 652-0838

Fax: (450) 652-7588

TABLE OF CONTENTS

1.0 INTRODUCTION..... 1

2.0 SPECIFICATION 1

3.0 DESCRIPTION OF THE SPECIMEN TESTED..... 1

4.0 SPECIMEN PREPARATION PRIOR TO TEST 2

5.0 TEST PARAMETERS 2

6.0 RESULTS 2

APPENDIX A: DRAWINGS AND PRODUCT INFORMATIONS

Thermal validation test

The results in this report relate only to the items tested. This report shall not be reproduced except in full, without the written approval of *Air-Ins Inc.*

1. INTRODUCTION

This report is reissued for initial certification to *Great Land Window* with the authorization of *Inline Fiberglass Ltd.* Consequently, no test sample was submitted. Initially *Air-Ins Inc.* Laboratories has been retained by *Inline Fiberglass Ltd.* to test an entry door in accordance with NFRC 102-2004 Procedure for Measuring the Steady-State Thermal Transmittance of Fenestration Systems, 2004 edition. The sample components and manufacturing are documented in section 3.0.

Ratings included in this report are for submittal to an NFRC-licensed IA for certification purposes and are not meant to be used for labelling purposes. Only those values identified on a valid Certification Authorization Report (CAR) are to be used for labelling purposes.

2. SPECIFICATION

NFRC 102-2004 Procedure for Measuring the Steady-State Thermal Transmittance of Fenestration Systems, 2004 edition

3. DESCRIPTION OF THE TESTED SPECIMEN

Type:	Production Line
Operator Type:	EDSL
Submitted for:	Initial certification
Size:	1000 mm W. x 2000 mm H. (39.37" x 78.74")
Model:	301 Tilt'N Turn Door
Frame Material:	FG
Glazing:	
Type:	Quadruple Sealed Unit
Total thickness:	35,21 mm (1.40")
*Type of glass:	Glass 1: 4,03 mm (0.16") Low-e S-2 e=0.04 Glass 2: Film (*HMTC88) Low-e S-3 e=0.13, S-4 e=0.11 Glass 3: Film (*HMTC88) Low-e S-5 e=0.13, S-6 e=0.11 Glass 4: 4,03 mm (0.16") Low-e S-7 e=0.04
Gap thickness:	Gap 1: 9,05 mm (0.36") Gap 2: 9,05 mm (0.36") Gap 3: 9,05 mm (0.36")
*Type of spacer:	Steel spacer (CS-D)
*Design gas fill:	Krypton
*Filling technique:	Single Probe
*Gas concentration:	10% Air, 90% Krypton

**Data obtained by the manufacturer*

Date of test:	October 16, 2007
Thermal Transmittance (Us) :	1,31 W/(m²C) (0.23 BTU/(hr ft² °F))
Standardized Thermal Transmittance (Ust) :	1,30 W/(m²C) (0.23 BTU/(hr ft² °F))

Thermal validation test

4. SPECIMEN PREPARATION PRIOR TO TEST

The test specimen was preconditioned at ambient laboratory conditions prior to the test. The surround panel-to-specimen interfaces were sealed with a non-reflective tape. The specimen was sealed on the exterior with a non-reflective tape.

5. TEST PARAMETERS

Tests to determine the Standardized Thermal Transmittance (U_{st}) of the specimen were performed in the guarded hot box located at Varennes, Quebec. The most recent calibration of the hot box apparatus was in August 01, 2007. The thermal performance evaluations were completed in accordance with the NFRC Test Procedure using a dynamic wind perpendicular to the specimen on the weather side and simulated natural convection on the room side. A zero static pressure differential was maintained across the specimen during the test by pressurizing the guard box on the room side. Data was collected over two successive 2 hour periods after 4 hours of steady state conditions as defined in section 5.2.1.A of the NFRC Test Procedure.

6. RESULTS

Measured Test Data

Glass Thickness and Glazing Deflection

	(Metric units)	(Imperial Units)
1. Glazing Deflection Before Test :	0.40 mm	(0.02) inch
2. Glazing Deflection During Test :	1.59 mm	(0.06) inch

Heat Flows

	(Metric units)	(Imperial Units)
1. Total Measured Input into Metering Box (Q_{total}) :	143.01 W	(488.39) BTU/hr
2. Surround Panel Heat Flow (Q_{sp}) :	44.47 W	(151.87) BTU/hr
3. Metering Box Wall Heat Flow (Q_{mb}) :	1.51 W	(5.16) BTU/hr
4. Flanking Loss Heat Flow (Q_{fl}) :	-5.55 W	(-18.94) BTU/hr
5. Net Specimen Heat Loss (Q_s) :	102.57 W	(350.31) BTU/hr

Areas

	(Metric units)	(Imperial Units)
1. Test Specimen Projected Area (A_s) :	2.00 m ²	(21.53) ft ²
2. Test Specimen Interior Total (3-D) Surface Area (A_{int}) :	2.07 m ²	(22.23) ft ²
3. Test Specimen Exterior Total (3-D) Surface Area (A_{ext}) :	2.17 m ²	(23.35) ft ²
4. Metering Box Opening Area (A_{mb}) :	5.75 m ²	(61.84) ft ²
5. Metering Box Baffle Area (A_{b1}) :	5.40 m ²	(58.11) ft ²
6. Surround Panel Interior Exposed Area (A_{sp}):	3.75 m ²	(40.31) ft ²

Thermal validation test

Test Conditions

	(Metric units)	(Imperial Units)
1. Average Metering Room Air Temperature :	20.93 °C	(69.67) °F
2. Average Cold Side Air Temperature :	-18.19 °C	(-0.74) °F
3. Average Guard/Environmental Air Temperature :	21.36 °C	(70.45) °F
4. Metering Room Maximum Relative Humidity :	13.81 %	(13.81) %
5. Measured Cold Side Wind Velocity:	14.70 km/h	(9.13) mph
6. Measured Metering Side Wind Velocity:	2.00 km/h	(1.24) mph
7. Measured Maximum Static Pressure Difference Across Specimen :	2.03 Pa	(0.04) psf

Surface Temperature Data

	(Metric units)	(Imperial Units)
1. Area-Weighted Surround Panel Warm Side Surface Temperature:	19.92 °C	(67.86) °F
2. Area-Weighted Surround Panel Cold Side Surface Temperature :	-17.25 °C	(0.95) °F

Results

	(Metric units)	(Imperial Units)
1. Thermal Transmittance of Test Specimen (U_s) :	1.31 W/(m ² C)	(0.23) BTU/(hrft ² F)
2. Standardized Thermal Transmittance of Test Specimen (U_{st}) :	1.30 W/(m ² C)	(0.23) BTU/(hrft ² F)

Calculated Test Data

Method B (Equivalent CTS Method) :

	(Metric units)	(Imperial Units)
1. Emittance of Glass (e_1) :	0.84	0.84
2. Warm Side Baffle Emittance (e_{b1}) :	0.91	0.91
3. Equivalent Warm Side Surface Temperature:	13.75 °C	(56.75) °F
4. Equivalent Weather Side Surface Temperature:	-16.42 °C	(2.44) °F
5. Warm Side Baffle Surface Temperature:	20.89 °C	(69.60) °F
6. Measured Warm Side Surface Conductance (h_i) :	7.15 W/(m ² C)	(1.26) BTU/(hrft ² F)
7. Measured Weather Side Surface Conductance (h_{II}) :	29.06 W/(m ² C)	(5.12) BTU/(hrft ² F)
8. Test Specimen Thermal Conductance (C_s) :	1.70 W/(m ² C)	(0.30) BTU/(hrft ² F)
9. Convection Coefficient (K) :	1.61 W/(m ² C ^{1.25})	(0.28) BTU/(hrft ² F ^{1.25})
10. Radiative Test Specimen Heat Flow (Q_{r1}) :	63.57 W	(217.10) BTU/hr
11. Conductive Test Specimen Heat Flow (Q_{c1}):	39.00 W	(133.21) BTU/hr
12. Radiative Heat Flux of Test Specimen (q_{r1}) :	31.78 W/m ²	(10.08) BTU/(hr ft ²)
13. Convective Heat Flux of Test Specimen (q_{c1}):	19.50 W/m ²	(6.19) BTU/(hr ft ²)
14. Standardized Warm Side Surface Conductance (h_{stI}):	6.68 W/(m ² C)	(1.18) BTU/(hrft ² F)
15. Standardized Cold Side Surface Conductance (h_{stII}) :	30.00 W/(m ² C)	(5.28) BTU/(hrft ² F)
16. Standardized Thermal Transmittance (U_{st}) :	1.30 W/(m ² C)	(0.23) BTU/(hrft ² F)

Test Duration

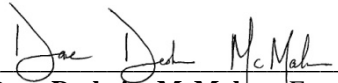
1. The environmental systems were started at :	21:45 on 2007-10-15
2. The test parameters were considered stable for two consecutive two hour test periods from:	7:30 to 11:30 on 2007-10-16
3. The thermal performance test results were derived from:	13:30 to 15:30 on 2007-10-16

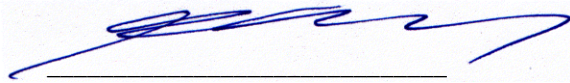
Thermal validation test

This test method does not include procedures to determine the heat flow due to either air movement through the specimen or solar radiation effects. As a consequence, the thermal transmittance results obtained do not reflect performances which may be expected from field installations due to not accounting for solar radiation, air leakage effects, and the thermal bridge effects that may occur due to the specific design and construction of the fenestration system opening. Therefore, it should be recognized that the thermal transmittance results obtained from this test method are for ideal laboratory conditions and should only be used for fenestration product comparisons and as input to thermal performance analyses which also include solar, air leakage, and thermal bridge effects.

Detailed drawings were available for laboratory records and compared to the test specimen at the time of this report. A copy of this report along with representative sections of the test specimen will be retained by Air-Ins Inc. for a period of four (4) years. The results obtained apply only to the specimen tested. Testing described in this report was conducted in full compliance with NFRC requirements.

Appendix A of this report includes drawings and information of the product.


Dave Deshaies McMahon, Eng.


Gilbert Riopel, B.Sc.
Program Director
Person-in-Responsible Charge

APPENDIX A: DRAWINGS AND PRODUCT INFORMATIONS

Thermal validation test

The results in this report relate only to the items tested. This report shall not be reproduced except in full, without the written approval of *Air-Ins Inc.*

INLINE
FIBERGLASS

SERIES 301 TILT'N TURN DOOR
(SINGLE)

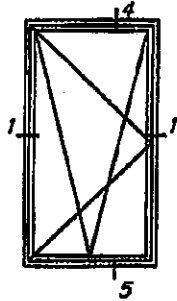


OPTIONAL STYROFOAM
CONFORME DOSSIER

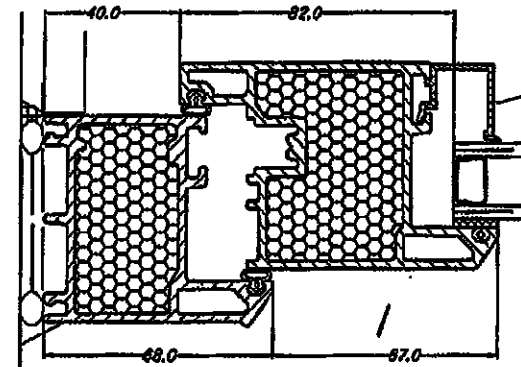
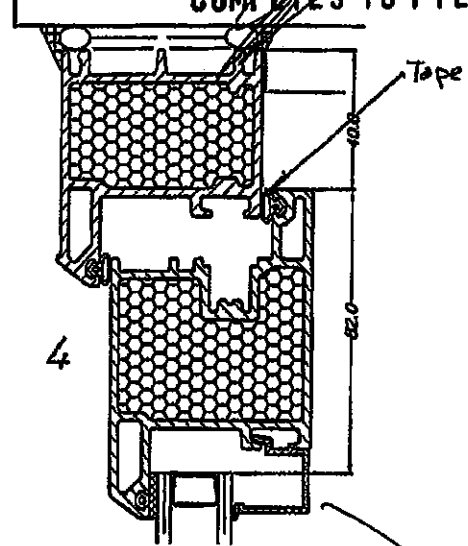
NV-00897

NV - 0 0 8 9 7

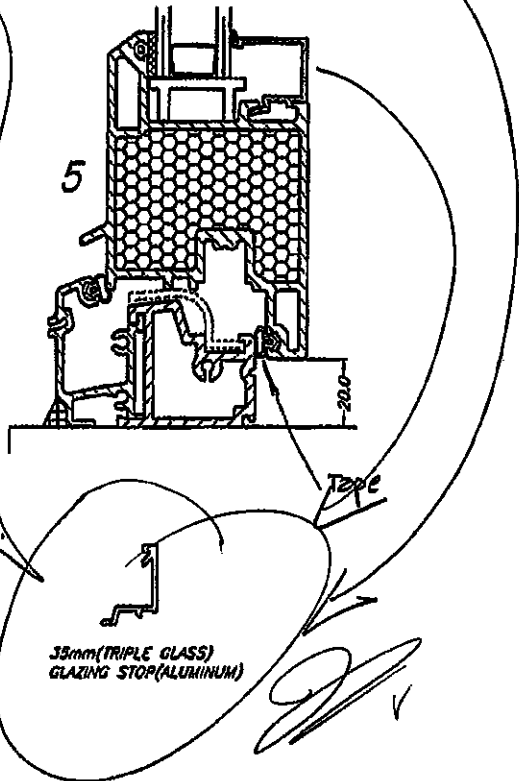
COMPLIES TO FILE



OK!
[Handwritten scribbles]



Report Number:
LF 70(W-0)
AUG 0 1 2007
Enermodal Engineering Ltd.



22mm(DOUBLE GLASS)
GLASS STOP(PVC)



5.08mm F.G. 4.08mm F.G. 3.04mm F.G.
GLAZING WEDGE(NEOPRENE)



33mm(TRIPLE GLASS)
GLAZING STOP(ALUMINUM)